



# EAGLE FLIGHT<sup>®</sup> STAINLESS STEEL WHEEL SIMULATORS

## Type A (New) INSTALLATION INSTRUCTIONS

### Heavy Duty Over Lug Mounting

#### Front Axle Set

- 2 Front Wheel Simulators
- 2 Front Axle Covers
- 2 Right Hand Stud Extenders<sup>1</sup>
- 2 Left Hand Stud Extenders<sup>1</sup>
- 2 Right Hand Attachment Nuts<sup>1</sup>
- 2 Left Hand Attachment Nuts<sup>1</sup>
- 2 Center Emblems
- 1 Installation Tool

#### Rear Axle Set

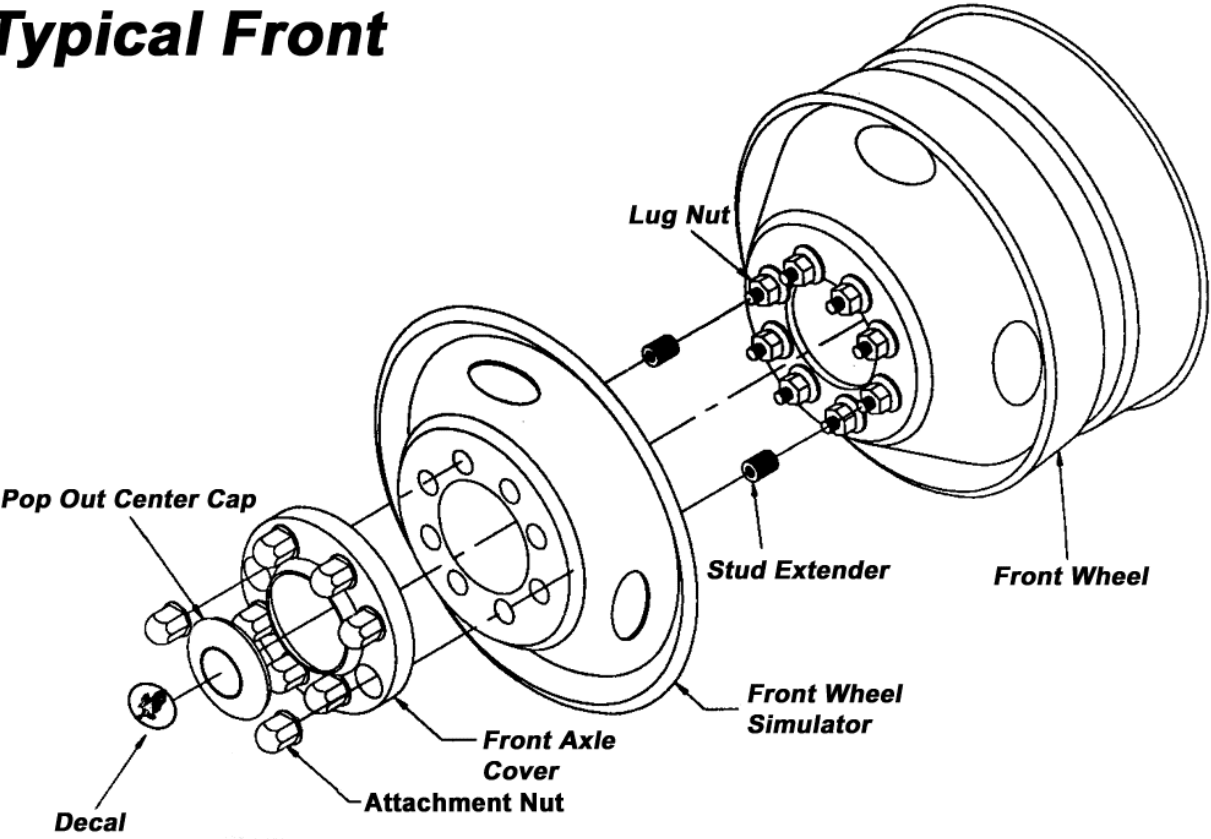
- 2 Rear Wheel Simulators
- 2 Rear Axle Covers
- 2 Right Hand Stud Extenders<sup>1</sup>
- 2 Left Hand Stud Extenders<sup>1</sup>
- 2 Right Hand Attachment Nuts<sup>1</sup>
- 2 Left Hand Attachment Nuts<sup>1</sup>
- 2 Center Emblems
- 1 Installation Tool

<sup>1</sup> Hub Piloted applications will have all right hand thread attachment hardware.

**Note:** This system can be installed with the installation tool provided. No other tools are necessary. Do not use power tools for installation. Eagle Flight<sup>®</sup> recommends storing the tool with the vehicle's tire tool for future use.

1. Do not remove the original equipment lug nuts.
2. Determine correct placement of stud extenders required for proper hand hole alignment. For Stud Piloted wheels, left hand threaded attachment hardware will be used on the driver's side. Right hand threaded hardware will be used on the passenger side. For Hub Piloted wheels, all hardware is right hand threaded.
3. Install appropriate stud extender on the portion of the wheel studs that protrudes through the original equipment lug nut on opposing studs.
4. Tighten stud extenders with included installation tool.
5. Install simulator over stud extenders. If the liner utilizes a separate axle cover, install axle cover over the stud extenders also. Now, install the attachment nuts on the stud extenders. Use the included tool to tighten jam nuts.
6. Complete the wheel simulator installation by applying hub center decals.
7. Repeat steps 2 through 6 for installation of the other wheel and axle covers.

# Typical Front



# Typical Rear

